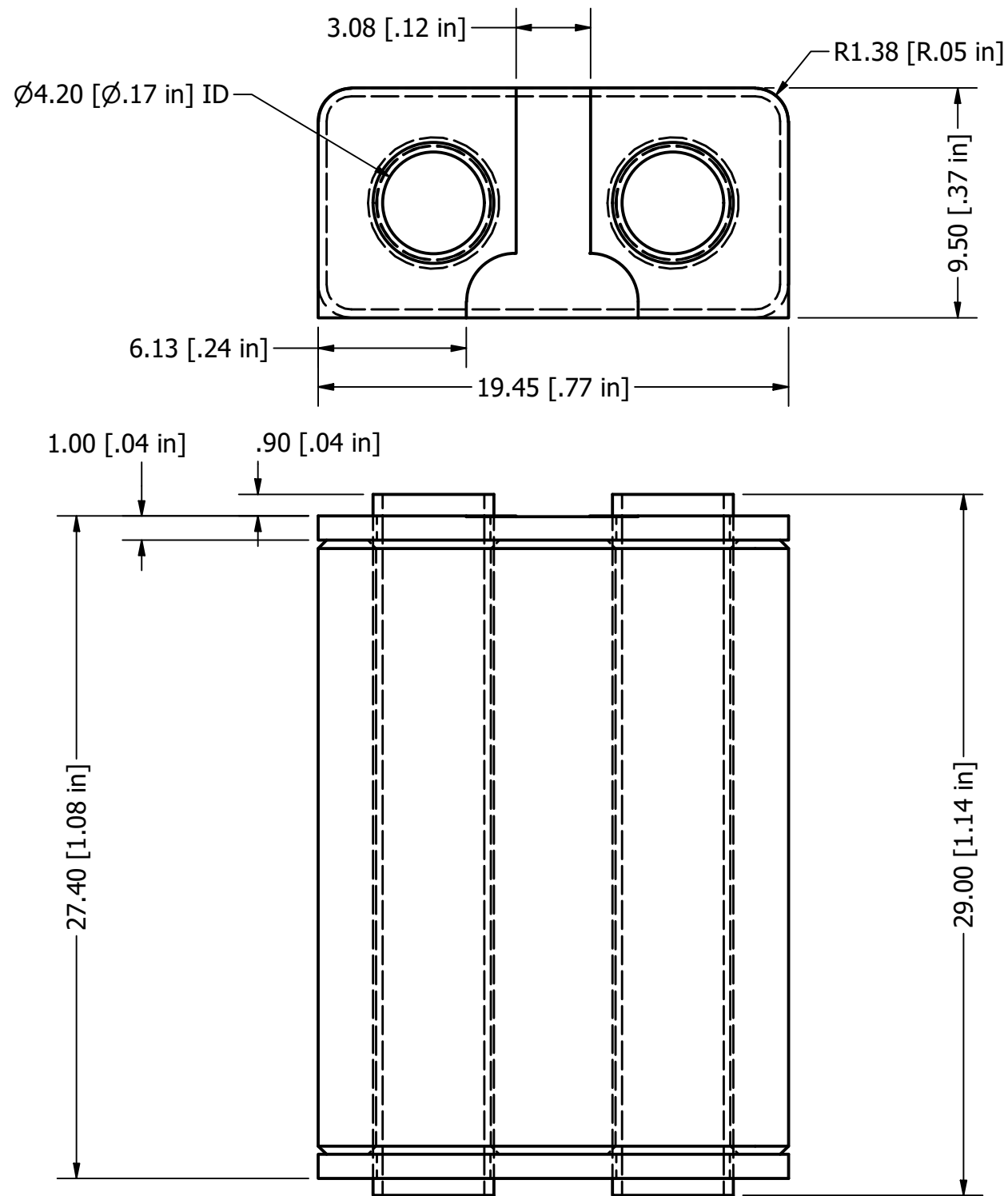
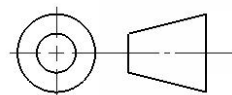


NOTE:  
 The surface finishing might differ from part to part.  
 Overall dimension tolerance is 0.1mm[in].  
 Design and dimensions can change without notice.



DRAWN	PC	05/05/2026
CHECKED	AA	05/05/2026
QA	AA	05/05/2026
MFG	ROW	05/05/2026
APPROVED	ROW	05/05/2026



<b>rowaves</b>			
TITLE			
Field Coupled Transformer - T80			
SIZE	UNITS	DWG NO	REV
A3	MM [IN]	T80_DWG	1
SCALE	3: 1		SHEET 1 OF 1