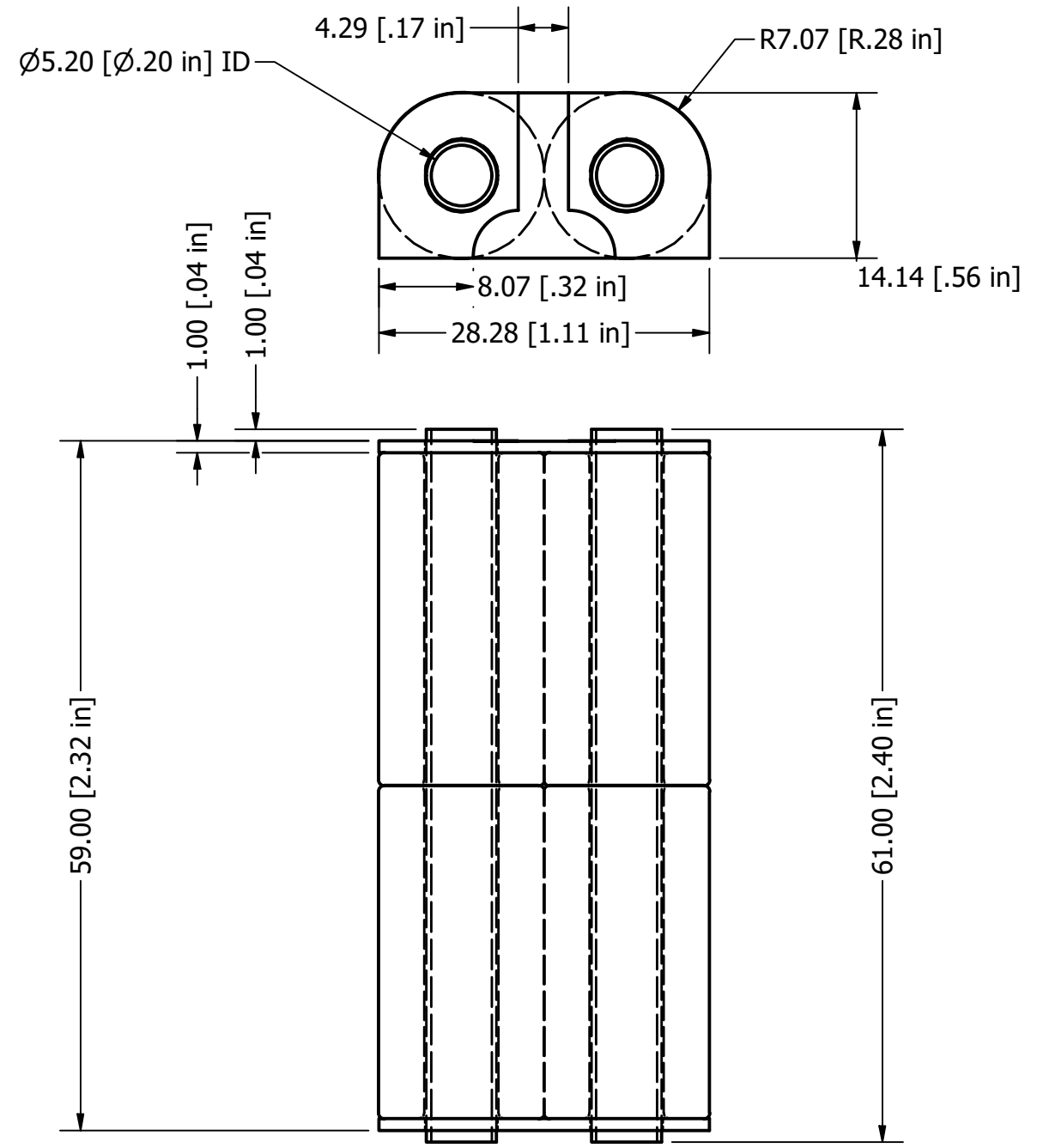
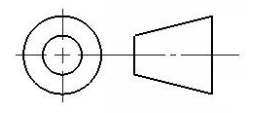


NOTE:
 The surface finishing might differ from part to part.
 Overall dimension tolerance is 0.1mm[in].
 Design and dimensions can change without notice.



DRAWN	PC	05/05/2026
CHECKED	AA	05/05/2026
QA	AA	05/05/2026
MFG	ROW	05/05/2026
APPROVED	ROW	05/05/2026



TITLE Field Coupled Transformer - T91			
SIZE	UNITS	DWG NO	REV
A3	MM [IN]	T91_DWG	1
SCALE	1.8 : 1		SHEET 1 OF 1